



Bathtub - Symetrics

Deck valve clockwise-closing cold - polished chrome

Article number: 20 000 986-00

- Valve hole diameter 1-1/4"
- Flange 2-3/8" x 2-3/8"

Codes & Standards

- NSF/ANSI 372
- ASME A112.18.1/CSA B125.1
- NSF/ANSI/CAN 61
- ADA



- (ADA)



polished chrome

Discontinued items available to order until 31.12.9999

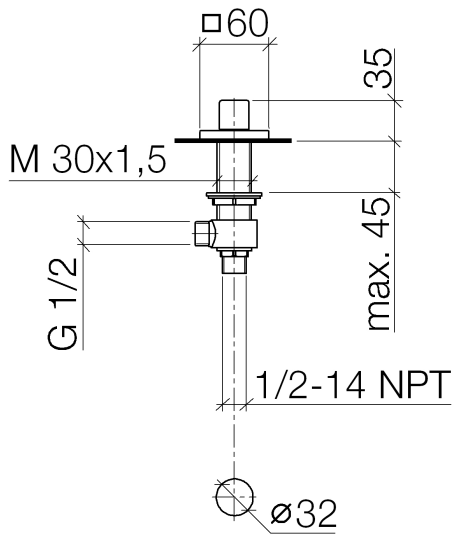


Bathtub - Symetrics

Deck valve clockwise-closing cold - polished chrome

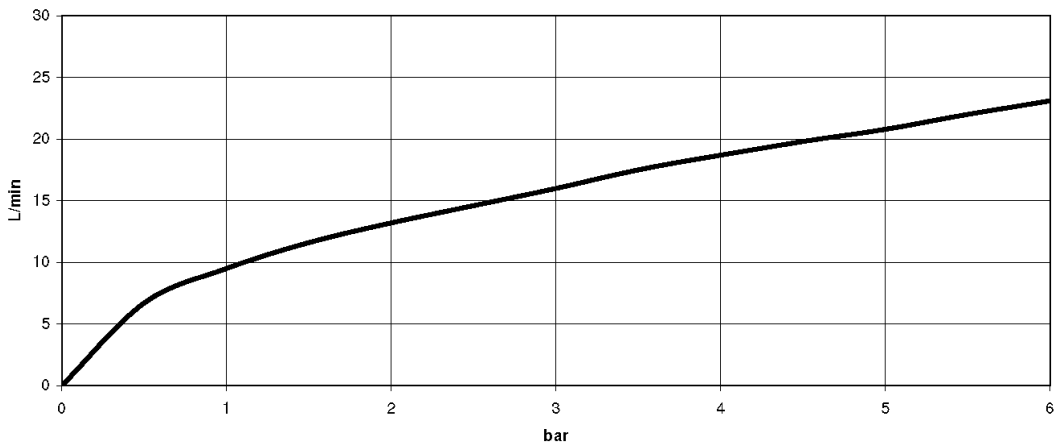
Article number: 20 000 986-00

Dimensional drawing



All dimensions in mm / inch = mm x 0,0394

Flow rate chart





Bathtub - Symetrics

Deck valve clockwise-closing cold - polished chrome

Article number: 20 000 986-00

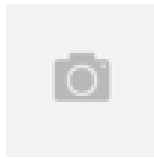
Other surface finishes



platinum matte
20 000 986-06



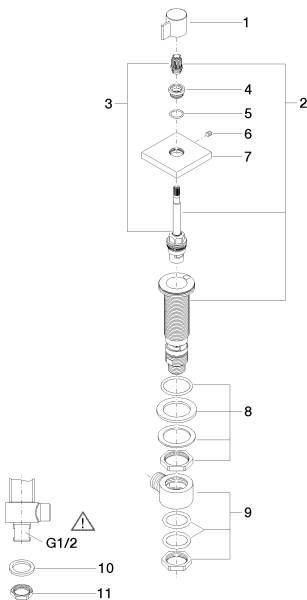
platinum
20 000 986-08



Brushed Durabronz
20 000 986-28

More custom finish options are available via special production (xTra Service). Please see our finish matrix for availability and pricing or contact a Dornbracht representative.

Spare parts list



Number	Item Number	Designation	Number of units
1	09 20 98 002-00	handle	1
2	90 17 11 045 05 90	side panel	1
3	90 90 03 205 00 90	top	1
4	09 12 12 043-00	base	1
5	09 14 10 017 90	seal	1
6	04 31 11 004 00 90	pin	1
7	09 27 98 014-00	rosette	1
8	04 23 10 032 78 90	fixing set	1
9	04 17 11 023 10 90	distributor	1
10	09 30 11 059 90	disc	1
11	09 23 10 012 90	nut	1